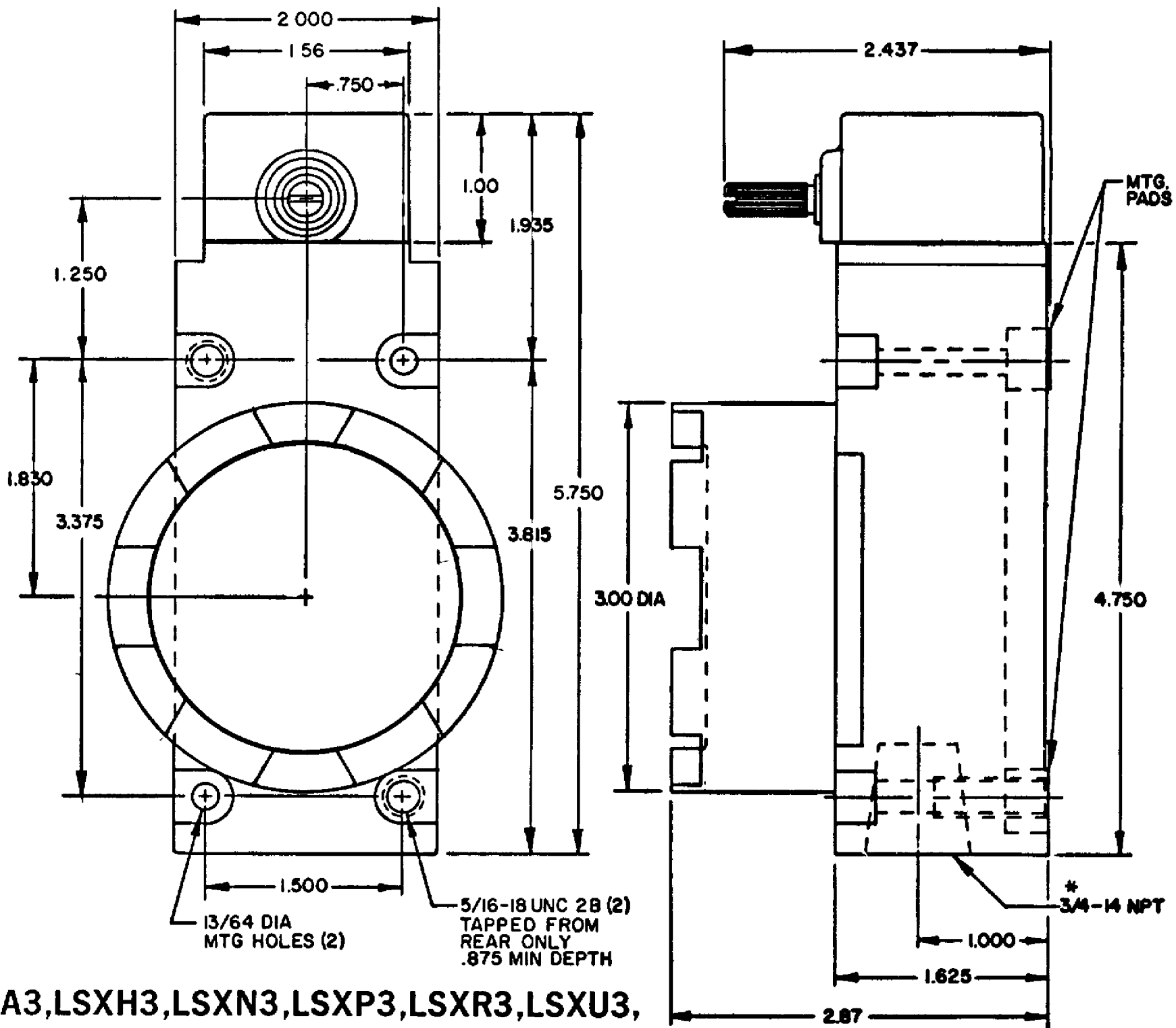
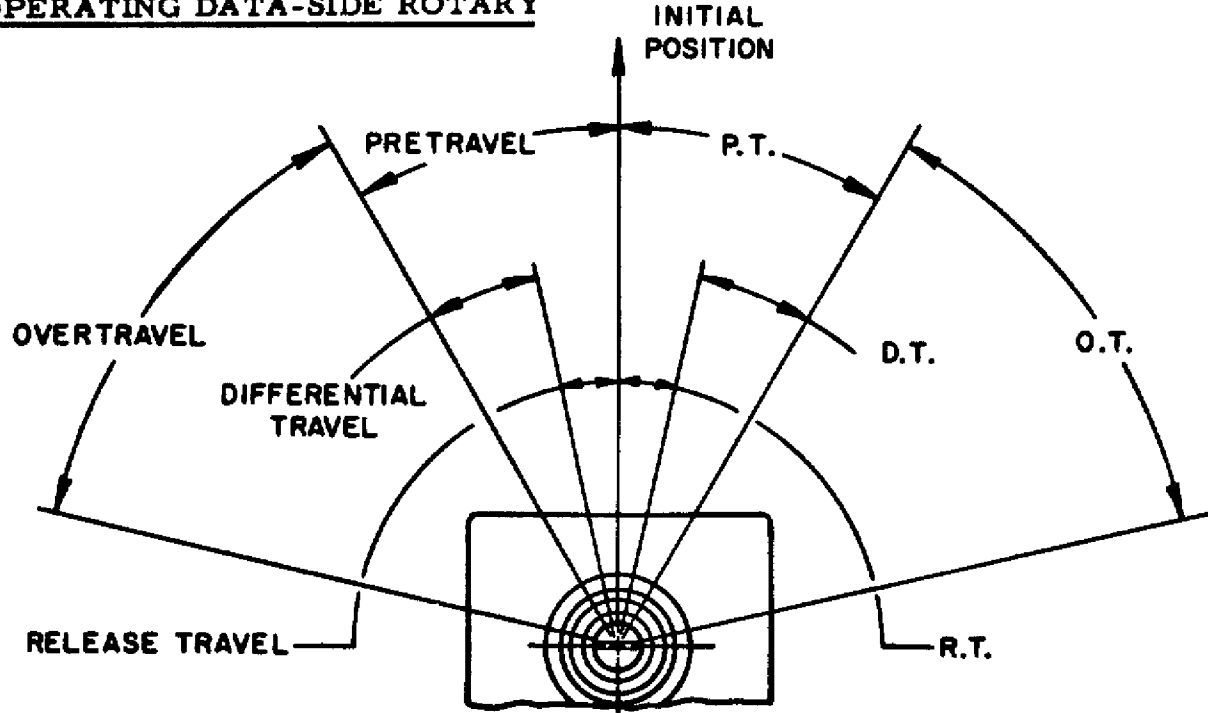


SIDE ROTARY

NOTE
 1 - EXPLOSION PROOF-UNDERWRITERS LAB INC. LISTED FOR HAZARDOUS LOCATIONS CLASS I, GROUPS B,C, AND D; CLASS II GROUPS E,F AND G

OPERATING DATA-SIDE ROTARY



TYPE LSXA3,LSXH3,LSXN3,LSXP3,LSXR3,LSXU3, LSXA4,LSXH4,LSXN4,LSXP4,LSXR4 and LSXM4 and LSXU4
 *(LSXA3,LSXH3,LSXN3 LSXP3,LSXR3 and LSXU3 HAVE 1/2-14 NPT CONDUIT OPENINGS)

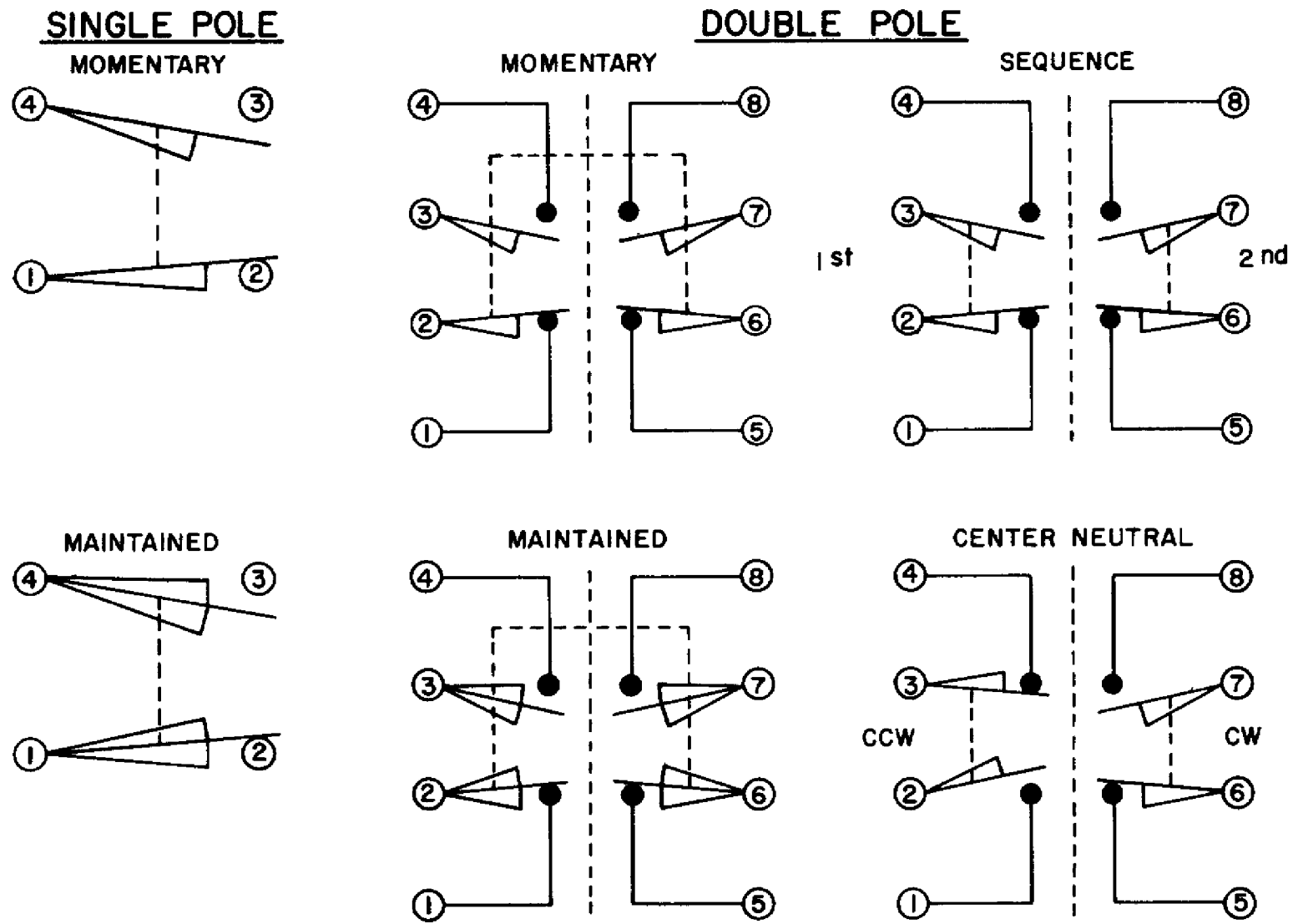
ELECTRICAL RATINGS

10 AMP CONT.

A.C. VOLTAGE	AMPS AT .35 POWER FACTOR			
	SINGLE POLE		DOUBLE POLE	
	MAKE	BREAK	MAKE	BREAK
120	60	6	30	3
240	30	3	15	1.5
480	15	1.5	7.5	.75
600	12	1.2	6	.6

D.C. VOLTAGE	MAKE & BREAK INDUCTIVE	RESISTIVE
120	0.25	0.80
240	0.15	0.40

WIRING BASIC SWITCH (SAME POLARITY MUST BE OBSERVED)

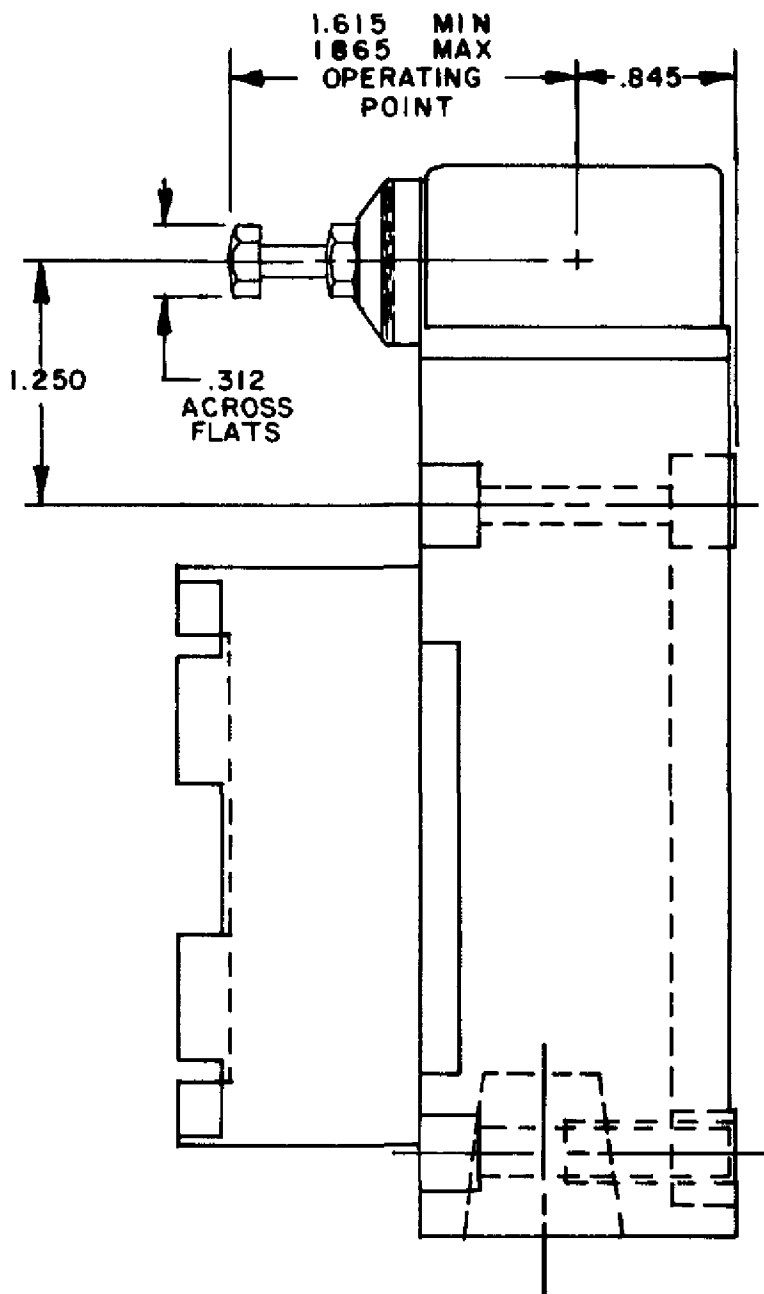


OPERATING CHARACTERISTICS	LSXA MOMENTARY		LSXR MOMENTARY LOW TORQUE		LSXN MAINTAINED	LSXP MOMENTARY LOW PRETRAVEL AND DIFF. TRAVEL		LSXH MOMENTARY LOW PRETRAVEL AND LOW TORQUE		LSXL SEQUENCE DOUBLE POLE ONLY	LSXM CENTRAL NEUTRAL DOUBLE POLE ONLY	LSXU LOW PRETRAVEL	
	Single Pole	Double Pole	Single Pole	Double Pole		Single Pole	Double Pole	Single Pole	Double Pole			Single Pole	Double Pole
PRETRAVEL (MAX)	15°	15°	15°	15°	65°	9°	9°	9°	9°	1st Step 15° 2nd Step 10° Additional	18°	5°	
OVERTRAVEL (MIN)	60°	60°	60°	60°	20°	68°	68°	68°	68°	48°	57°	70°	
DIFFERENTIAL TRAVEL (MAX)	5°	7°	5°	7°	40°	3°	4°	3°	4°	5°	10°	5°	4°
TOTAL TRAVEL (REF)	75°	75°	75°	75°	90°	75°	75°	75°	75°	75°	75°	75°	
OPERATING TORQUE (MAX)	4 IN. LBS	1.7 IN. LBS	4 IN. LBS	1.7 IN. LBS	4 IN. LBS	4 IN. LBS	1.7 IN. LBS	4 IN. LBS	1.7 IN. LBS	4 IN. -LBS	4 IN. -LBS.	4 IN. LBS	
FULL TRAVEL TORQUE (MAX)	4 IN. LBS	1.7 IN. LBS	—	—	—	4 IN. LBS	1.7 IN. LBS	4 IN. LBS	1.7 IN. LBS	4 IN. -LBS	4 IN. -LBS	4 IN. LBS	

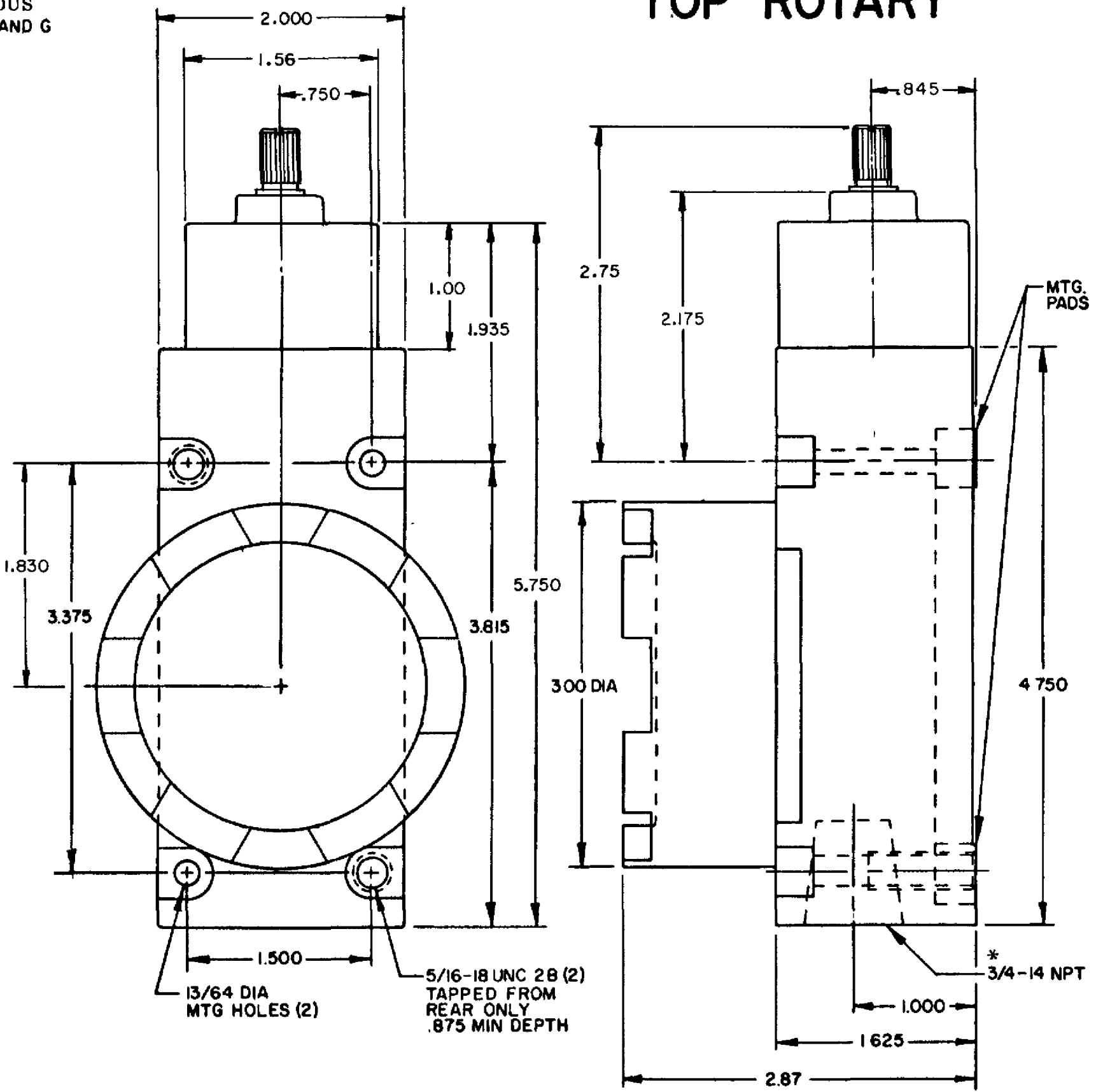
MICRO SWITCH a Honeywell Division
 SWITCH - ENCLOSED
 LSX SERIES CHART 1
 THIS DRAWING COVERS A PROPRIETARY ITEM AND IS THE PROPERTY OF MICRO SWITCH, A DIVISION OF HONEYWELL. THIS DRAWING IS NOT TO BE COPIED OR USED WITHOUT THE APPROVAL OF MICRO SWITCH.
 CATALOG LISTING
 ONE PLACE (0) 1.020
 TWO PLACES (00) 1.015
 THREE PLACES (000) 1.005
 DO NOT SCALE PRINT
 UNLESS OTHERWISE SPECIFIED TOLERANCES ARE
 THIRD ANGLE PROJECTION
 SCALE
 PAGE 1 OF 3
 M LSX SERIES CHART 1 PAGE 1 OF 3

NOTE
 1 - EXPLOSION PROOF-UNDERWRITERS LAB INC. LISTED FOR HAZARDOUS LOCATIONS CLASS I, GROUPS B,C, AND D; CLASS II GROUPS E,F AND G

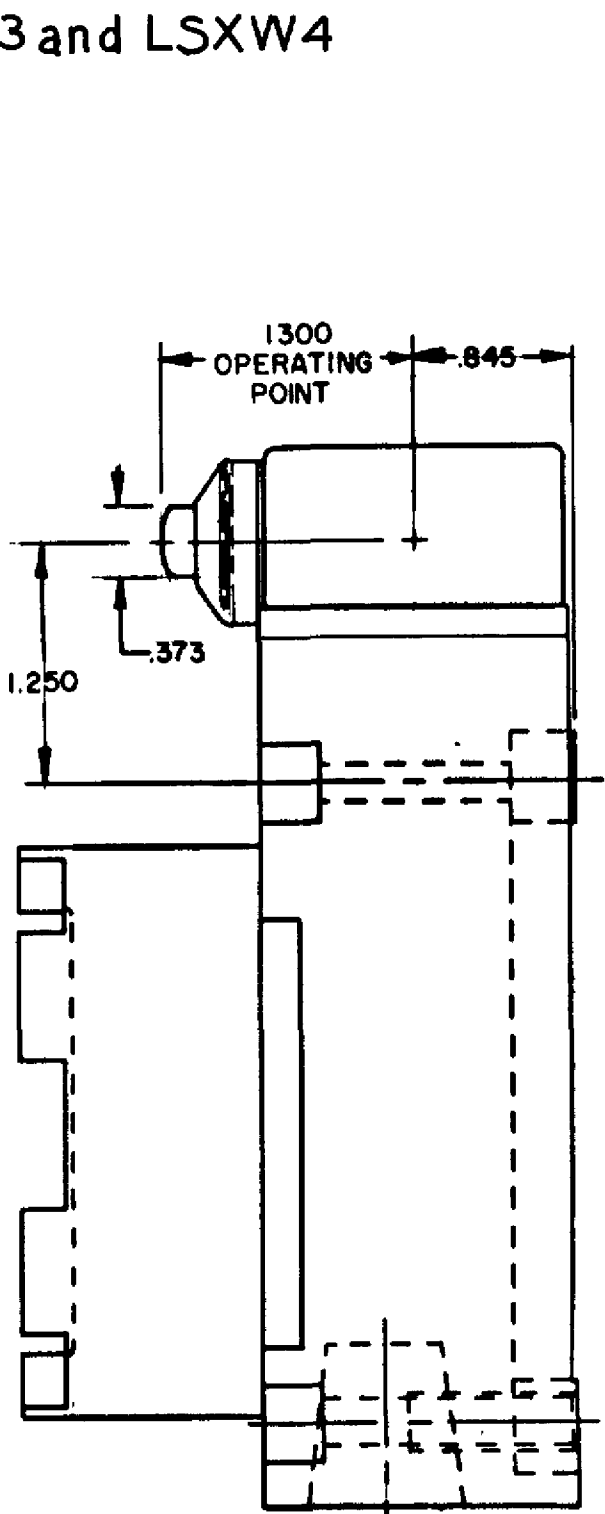
	SINGLE POLE	DOUBLE POLE
PRETRAVEL MAX	35°	35°
OVERTRAVEL MIN	100°	100°
DIFFERENTIAL TRAVEL MAX	8°	12°
OPERATING TORQUE MAX	2.5 IN. LBS.	2.5 IN. LBS.
TOTAL TRAVEL (REF)	135°	135°



TYPE LSXB3 and LSXB4 (LSXB3 HAS A 1/2-14 NPT CONDUIT OPENING)

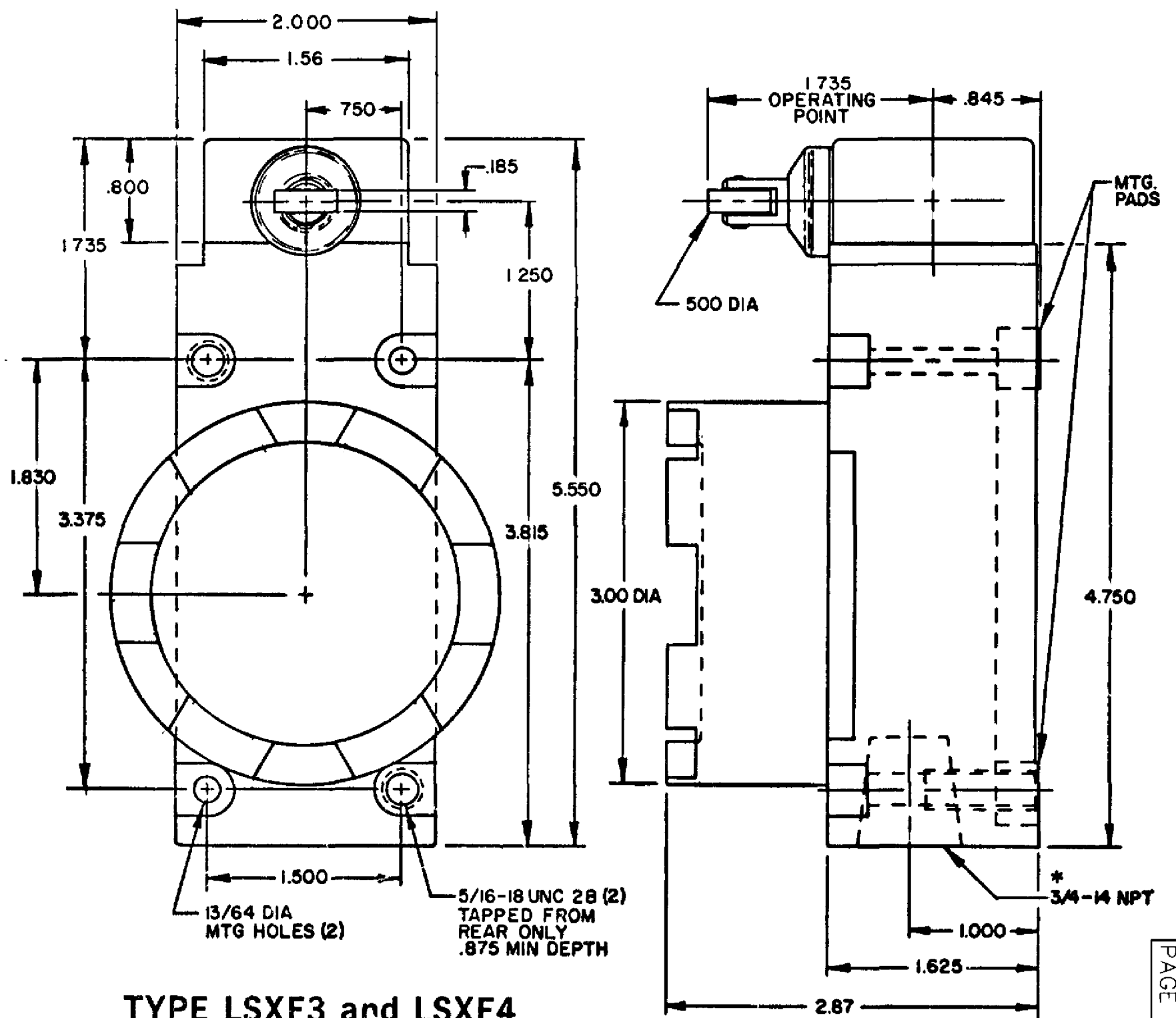


TYPE LSXB3 and LSXB4 (LSXB3 HAS A 1/2-14 NPT CONDUIT OPENING)



TYPE LSXB3 and LSXB4

SIDE PLUNGER TYPE



TYPE LSXF3 and LSXF4

*(LSXE3 and LSXF3 HAVE 1/2-14 NPT CONDUIT OPENINGS)

MICRO SWITCH
 a Honeywell Division
 FED. MFG. CODE 81828

SWITCH - ENCLOSED

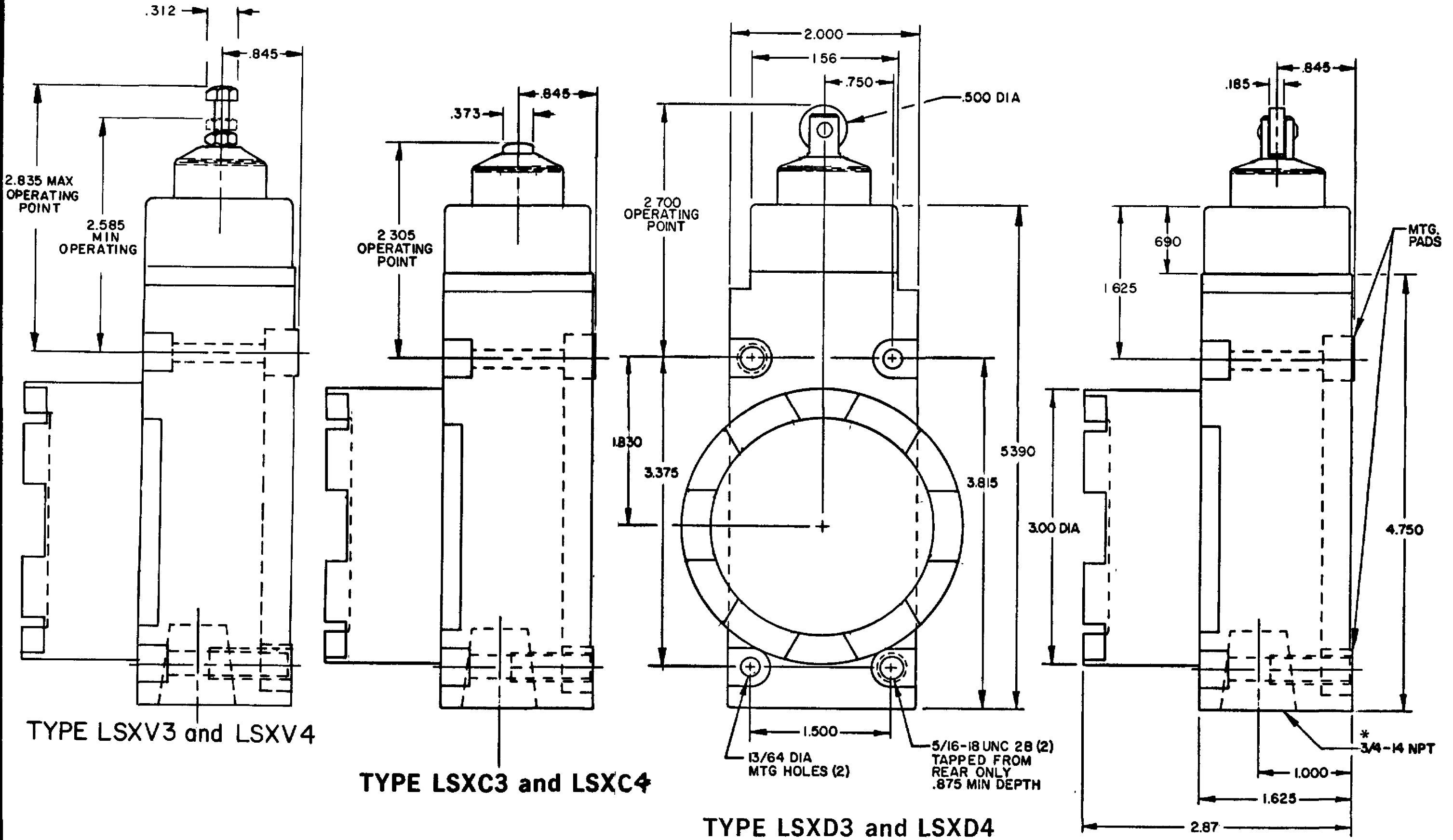
LSX SERIES
 CHART 1

THIS DRAWING COVERS A PROPRIETARY ITEM AND IS THE PROPERTY OF MICRO SWITCH, A DIVISION OF HONEYWELL. THIS DRAWING IS NOT TO BE COPIED OR USED WITHOUT THE APPROVAL OF MICRO SWITCH.

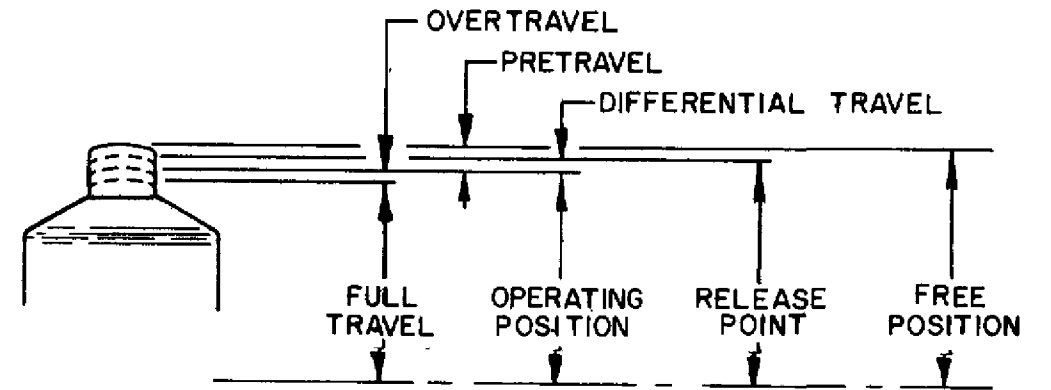
PAGE 2 OF 3

WEIGHT	
DESIGN LIMITS	
SCALE	THIRD ANGLE PROJECTION
DO NOT SCALE PRINT	
TOLERANCES	
APPLY TO DIMENSIONS UNLESS OTHERWISE SPECIFIED	
FRACTIONS	
DECIMALS	
ANGLES	
THREADS	
KEYWAYS	
KEYS	
HOLES	
SPACINGS	
PROTECTIVE COATING AND FINISH	

PLUNGER TYPE TOP



*(LSXC3 and LSXD3 HAVE 1/2-14 NPT CONDUIT OPENINGS)



OPERATING POINT GIVEN IN RELATION TO TOP MOUNTING HOLES

TOP PLUNGER TYPES

CHARACTERISTICS	LSXC PLUNGER		LSXD ROLLER PLUNGER		LSXV ADJUSTABLE PLUNGER		SEQUENCE BASIC		
	SINGLE POLE	DOUBLE POLE	SINGLE POLE	DOUBLE POLE	SINGLE POLE	DOUBLE POLE	LSXC	LSXD	LSXV
PRETRAVEL (MAX)	.070		.070		.070		1ST STEP .070		
DIFFERENTIAL TRAVEL (MAX)	.015	.020	.015	.020			2ND STEP .016 MIN ADD'L		
OVERTRAVEL (MIN)	.190		.190		.190		.170		
OPERATING FORCE (MAX)	4 LBS		4 LBS		4 LBS		4 LBS		
OPERATING POINT	2.305 ± .030		2.700 ± .040		2.585 MIN 2.835 MAX		1ST STEP		
FULL OVERTRAVEL FORCE (MAX)	7 LBS		7 LBS		7 LBS		1.815±.030 2.210±.040 2.095 MIN / 2.345 MAX		

OPERATING POINT GIVEN IN RELATION TO CENTER OF HEAD

SIDE PLUNGER TYPES

CHARACTERISTICS	LSXE PLUNGER	LSXF ROLLER PLUNGER	LSXW ADJUSTABLE PLUNGER	SEQUENCE BASIC		
				LSXE	LSXF	LSXW
PRETRAVEL (MAX)	.100	.100	.100	1ST STEP .100		
DIFFERENTIAL TRAVEL (MAX)	.045	.045	.045	2ND STEP .020 MIN ADD'L		
OVERTRAVEL (MIN)	.190	.190	.190	.170		
OPERATING FORCE (MAX)	6 LBS	6 LBS	6 LBS	6 LBS		
OPERATING POINT	1.300 ± .030	1.735 ± .040	1.615 MIN 1.865 MAX	1ST STEP		
FULL OVERTRAVEL FORCE (MAX)	6 LBS	6 LBS	6 LBS	1.310±.030 1.745±.040 1.625 MIN / 1.875 MAX		

NOTE
 1 - EXPLOSION PROOF-UNDERWRITERS LAB INC. LISTED FOR HAZARDOUS LOCATIONS CLASS I, GROUPS B,C, AND D; CLASS II GROUPS E,F AND G

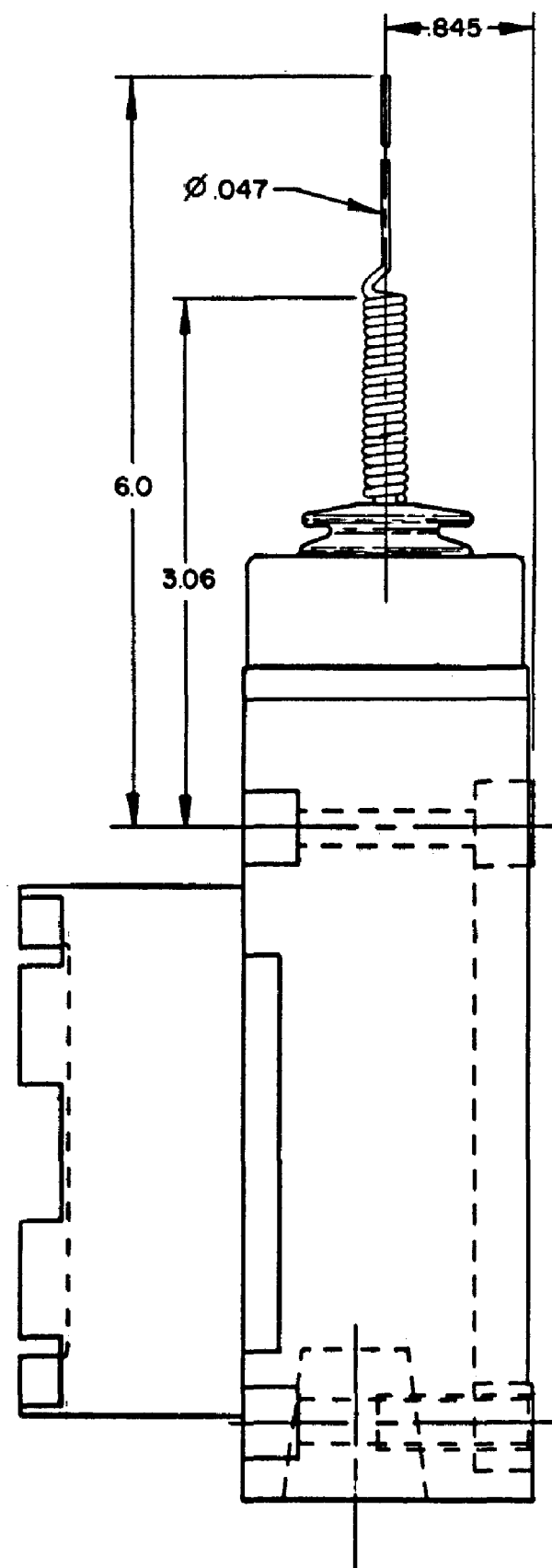
MICRO SWITCH
 a Honeywell Division
 FED. REG. CODE 91828

SWITCH - ENCLOSED
 PAGE 3 OF 3

LSX SERIES
 CHART 1

DESIGN UNITS: INCHES
 TOLERANCES: FRACTIONS: 1/16, 1/32, 1/64, 3/32, 1/8, 3/16, 1/4, 3/8, 1/2, 5/8, 3/4, 7/8, 1
 DECIMALS: .001, .002, .003, .004, .005, .006, .007, .008, .009, .010, .015, .020, .025, .030, .040, .050, .060, .070, .080, .090, .100, .125, .150, .175, .200, .250, .300, .375, .450, .500, .625, .750, .875, 1.000, 1.250, 1.500, 1.750, 2.000, 2.500, 3.000, 3.750, 4.500, 5.000
 ANGLES: 15, 30, 45, 60, 75, 90, 105, 120, 135, 150, 165, 180
 SURFACE FINISH: UNLESS OTHERWISE SPECIFIED, ALL SURFACES SHALL BE FINISHED TO A RAY SURFACE FINISH OF 32 RMS (0.8 MICRONS) OR BETTER.
 DIMENSIONS: UNLESS OTHERWISE SPECIFIED, DIMENSIONS ARE TO BE TAKEN TO THE CENTER OF HOLES AND TO THE CENTER OF GROOVES.
 WEIGHT: APPROXIMATE WEIGHTS ARE GIVEN IN POUNDS AND OUNCES.

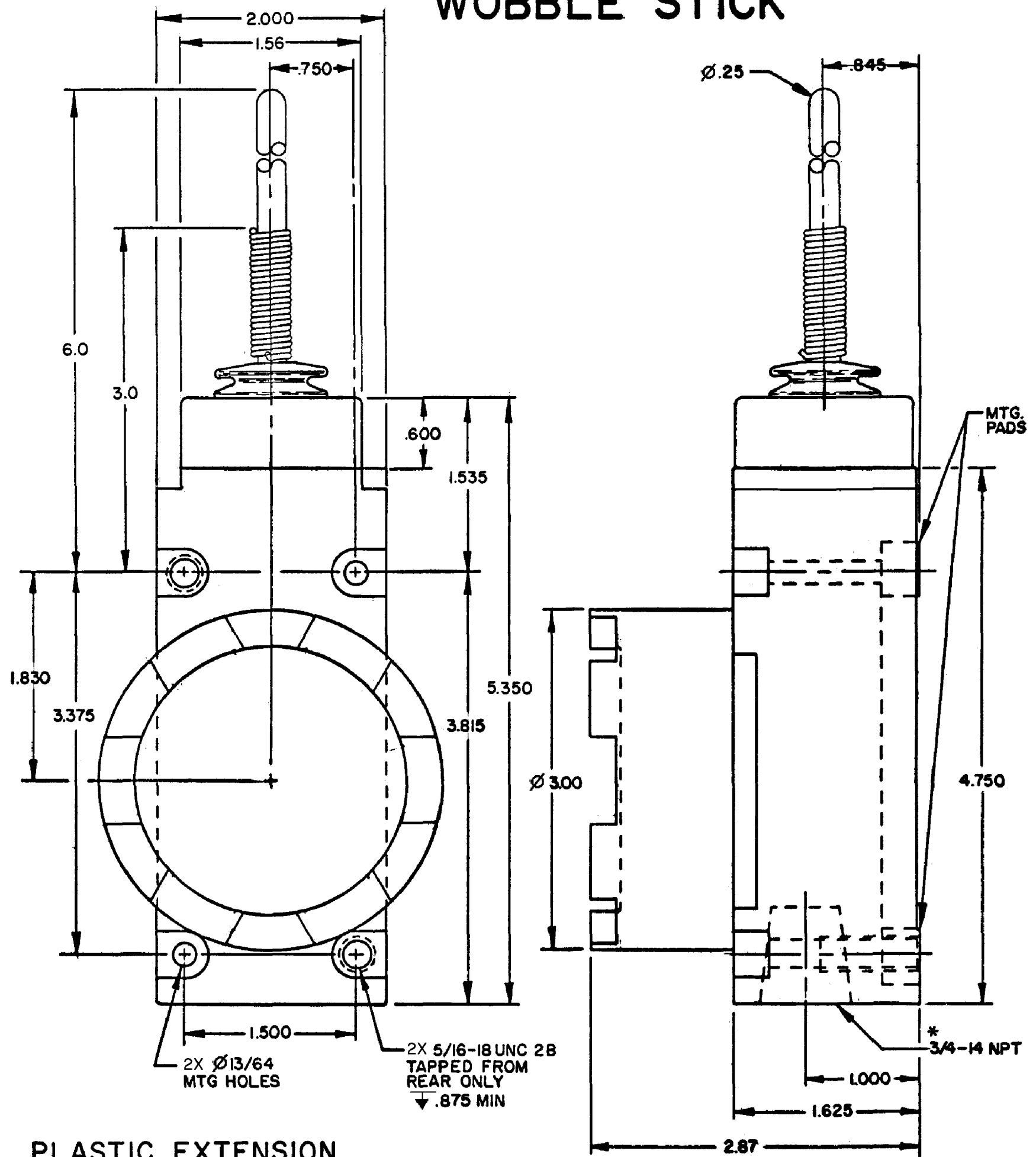
CAT WHISKER



**WIRE EXTENSION
 TYPE 8A ACTUATOR**

**TYPE LSXK3 and LSXK4
 (LSXK3 HAS 1/2-14 NPT CONDUIT OPENING)
 REPLACEMENT ACTUATOR
 LSXZ-4012**

WOBBLE STICK



**PLASTIC EXTENSION
 TYPE 7A ACTUATOR**

**TYPE LSXJ3 and LSXJ4
 (LSXJ3 HAS 1/2-14 NPT CONDUIT OPENING)**

**REPLACEMENT ACTUATOR
 LSZ-4009**

NOTE
 1 - EXPLOSION PROOF-UNDERWRITERS LAB INC. LISTED FOR HAZARDOUS LOCATIONS CLASS I, GROUPS B,C, AND D; CLASS II GROUPS E,F AND G

	CAT WHISKER	WOBBLE STICK
PRETRAVEL (APPROX)	6" WIRE	ROD
IN. RADIUS	2	1.0
OPERATING FORCE - OZ (MAX)	5.0	10.0

MASTER REDUCED

MICRO SWITCH
 a Honeywell Division
 FED. REG. CODE 91929
SWITCH - ENCLOSED
LSX SERIES CHART 1
 CATALOG LISTING

THIRD ANGLE PROJECTION
 SCALE NONE
 DO NOT SCALE PRINT
 UNLESS OTHERWISE SPECIFIED
 ONE PLACE (0) ±.030
 TWO PLACES (.00) ±.015
 THREE PLACES (0.00) ±.005
 ANGLES ±